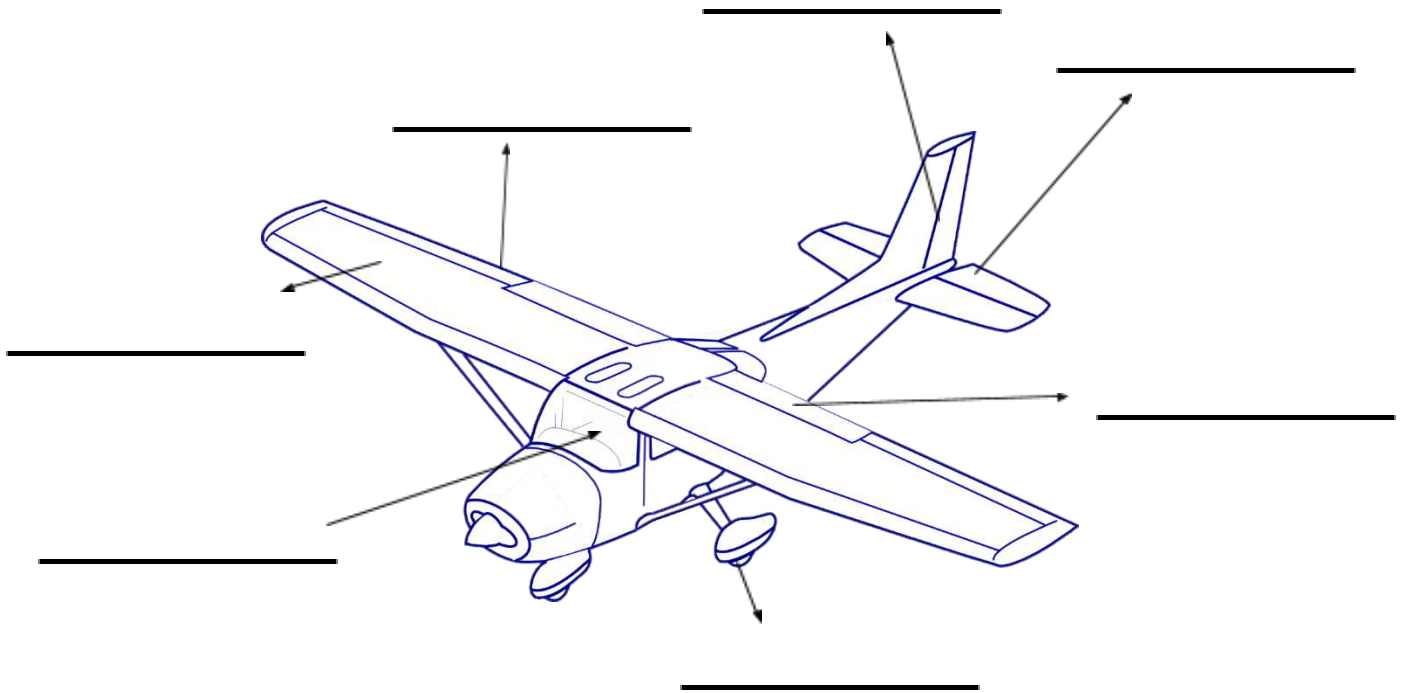


Parts of the Plane

Label the Cessna!



Test your knowledge!

#1. What is the body of the airplane called?

#2. What is the purpose of the flaps?

#3. What does the trim tab do?

The Six Pack

In the cockpit, we have 6 basic, but essential instruments that we use. We call them, "The Six Pack". Try to label them all below!

Word Bank:

Airspeed Indicator	Altimeter	Vertical Speed Indicator
Heading Indicator	Turn Coordinator	Attitude Indicator

